

HDMI Over Gigabit IP Extender with Power over Ethernet (POE): Extend up to 333 Feet XTENDEX®

Extend an HDMI display monitor up to 333 feet away from the source using gigabit Ethernet. Use with cascaded network switches to extend up to 1,000 feet.

- Supports HDTV resolutions to 1080p.
- Ideal solution for digital signage applications.
- Power over Ethernet (PoE) - power supply not required at the local or remote unit.
- Broadcast real-time HDMI video and audio signals to multiple display locations with a managed or unmanaged (also known as non-managed) network switch.
- Transmits an HDMI signal over one CAT5e/6/7 cable.
- Supports video wall installations from 1x2 to 16x16 screens.
- Plug-and-Play installation allows receivers to find the transmitter automatically on the same network. (Network configuration may be required for Managed network switch.)
- Easily expandable. Add remote units as you add monitors.
- Built-in scaler - watch compatible sources at 1080p.
- Supports 2-way RS232 commands (control software on a PC, or other automated control system hardware such as Control4 or Crestron) to control any devices attached to the matrix using RS232.
- Integrated mounting brackets for easy surface/wall mounting.
- Inexpensive CAT5e/6/7 cable replaces bulky video cables.
- Support for multiple transmitters requires a Managed network switch with VLAN/IGMP support. Standard LAN switches can only support one transmitter.
 - Each VLAN acts as a separate HDMI Over IP Channel on the network.
 - One transmitter can connect up to 200 receivers using cascaded managed network switches.
- Cascade managed network switches up to 3 levels, allowing the farthest display to be located up to 1,000 feet away from the source device. Each receiver can be located up to 333 feet from the managed switch.
- For a point-to-many connection, a standalone network with an unmanaged network switch, hub, or router can be used instead of a managed network switch.
 - It is not recommended to use any other network devices on this standalone network as it may cause a degradation in performance.
- Use a PC to access the built-in HTTP Interface of the managed network switch to control what signal is being watched at each location.
- Use a Telnet client to access any receiver on the VLAN or network.
- Customizable EDID table on local unit.
- HDCP compliant.
- Local and remote units must be in the same LAN. The units do not support WAN connections.



ST-IPHD-R-2GOPOE (Front & Back)

- **Visually Lossless 1080p**
- **Use with cascaded network switches to extend to 1,000 feet**
- **Supports 2-way RS232 Commands**
- **No Duplicate IP Addresses on 1000BASE-T Network**
- **LAN Bandwidth: 180 to 500 Mbps**
- **Supports video wall installations from 1x2 to 16x16 screens.**
- **Supports Point-to-Point, Point-to-Many, & Many-to-Many connections**

The XTENDEX® HDMI Over Gigabit IP Extender multicasts digital video and audio signals to one or more receivers up to 333 feet away over a 1000BASE-T Gigabit Network connected with CAT5e/6/7 cable.

Each HDMI Over Gigabit IP Extender consists of a local unit that connects to an HDMI source, and a remote unit that connects to an HDMI display. The local and remote units can be connected together for a Point-to-Point connection via CATx cable or a Point-to-Many connection via a network switch. Support for multiple transmitters requires a managed network switch.

Specifications

- LAN Bandwidth: 180 to 500 Mbps
- Protocol: IP, UDP, TCP, ICMP, and IGMP
- Supports video wall installations from 1x2 to 16x16 screens. (See Control Methods for details.)

Local Unit

- One female HDMI-A port for source connection.
- One female 1000Mbps RJ45 port for sending high definition video/audio signals and DDC signal.
- One female 3.5mm jack for RS232.
- Class 3 PoE compatible (10 watts maximum).

Remote Unit

- One female HDMI-A port for HDTV or computer display.
- One female 1000Mbps RJ45 port for receiving high definition video/audio signals and DDC signal.
- Signal type: HDMI, HDCP compliant.
- Supports HDTV resolutions to 1080p and computer resolutions to 1920x1200.
- Supports multichannel compressed audio (Dolby Digital, DTS, THX) through HDMI compatible TVs or audio receivers.
- One female 3.5mm jack for RS232.
- Class 3 PoE compatible (10 watts maximum).

HDMI Over Gigabit IP Extender with Power over Ethernet (POE): Extend up to 333 Feet XTENDEX®

Extend an HDMI display monitor up to 333 feet away from the source using gigabit Ethernet. Use with cascaded network switches to extend up to 1,000 feet.

Specifications (continued)

Power

- Power over Ethernet: With a switch that supports Power over Ethernet, a power supply is not required at the local or remote unit.
- Local and remote unit: 100 to 240 VAC at 50 or 60 Hz via AC adapter (not included).
 - Country-specific AC adapter sold separately (PWR-SPLY-IPHD2GO).

Cables

- Use HD-xx-MM cable to connect an HDMI source or display (not included).
- Use DVI-HD-xx-MM cable to connect a DVI source or display (not included).
- Use CAT5e/6/7 UTP straight through cable for TIA/EIA-568B wiring terminated with standard RJ45 connectors (not included).

Max Distance

- 330 feet (100 meters) over CAT5e/6/7 cable.

Dimensions

- WxDxH (in): 4.76x4.92x1.18 (121x125x30 mm).

Regulatory Approvals

- CE, RoHS

Warranty

- Two years

Control Methods

Video Wall App

- Firmware provides video wall applications in sizes ranging from 1x2 to 16x16.
 - Any combination is possible within those limitations (e.g. 2x4, 1x8, 5x5, 6x2).
- The video wall set-up software is built into the units and can be programmed through any web browser by entering the IP address of the transmitter.
- With IP-based control systems, the screens can change modes dynamically from video wall modes to standard modes.
- Works best with progressive video signals such as 480p, 720p and 1080p.
- Dual mode capability enables higher display quality.
 - Use one transmitter for each row of the video wall to boost picture quality.
- Ideal digital signage solution for sports bars, emergency response centers, etc.

Managed Ethernet Switch

- Compatible Managed Ethernet Switches (requires Gigabit for best results)
 - Cisco SG300 Gigabit Series (no stacking)
 - Cisco Catalyst 2960 Gigabit
 - Dell PowerConnect 5400 Series (5424, 5448)
 - Dell PowerConnect 5500 Series (5524, 5524P, 5548, 5548P)
 - Dell PowerConnect 6200 Series (6224, 6224P, 6248, 6248P)
 - Netgear 7000 Series V2 (GSM7224, GSM7228PS, GSM7248, GSM7252PS)
 - Packedge SW24-GBM, S24P

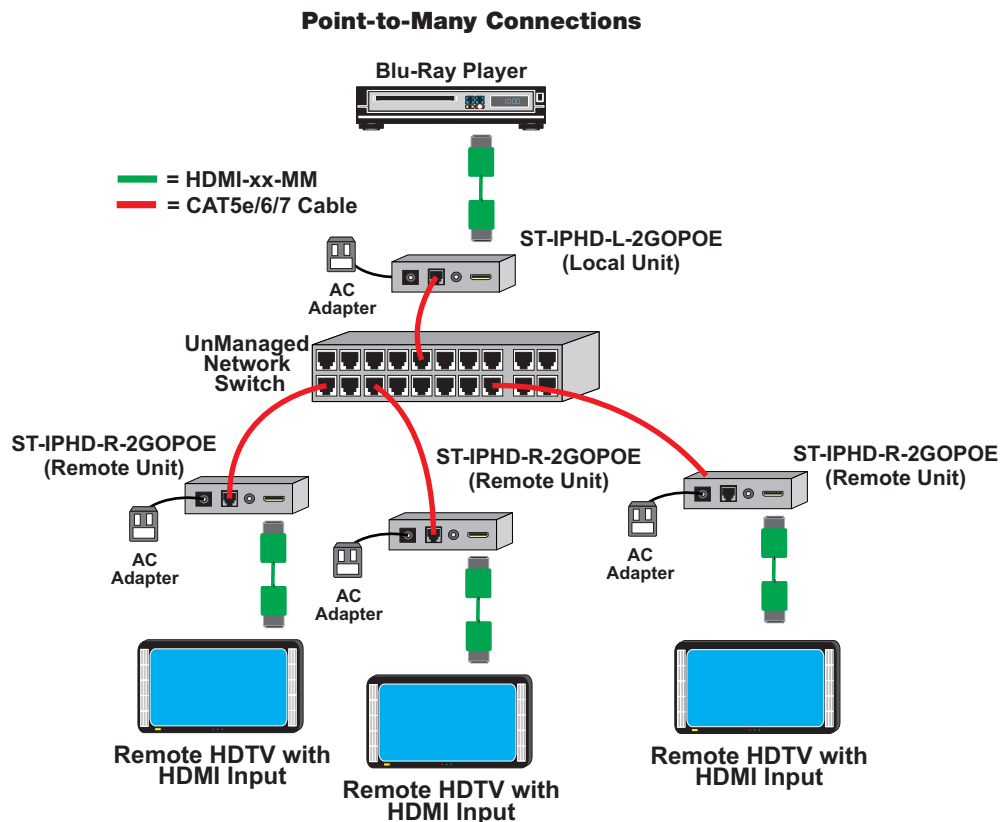
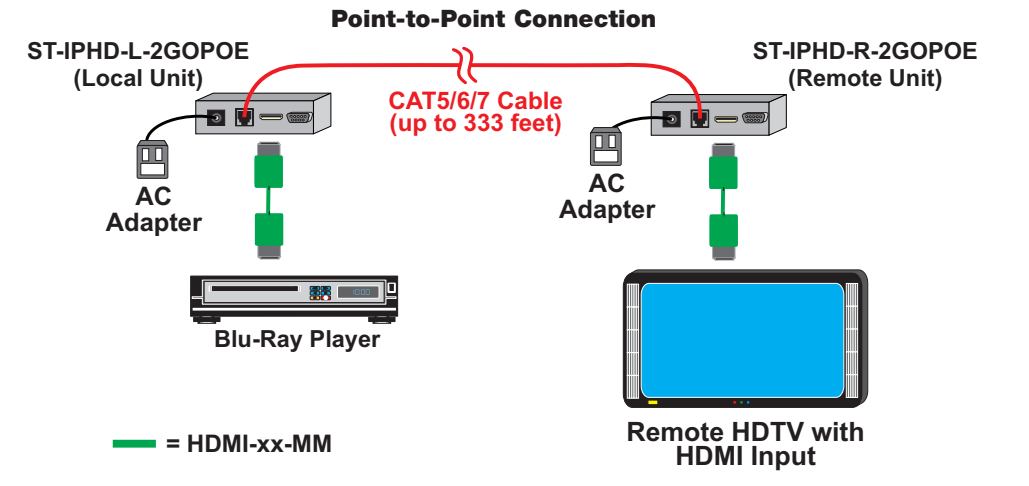
HDMI Over Gigabit IP Extender with POE via CAT5e/6/7

NTI Part #	Description
ST-IPHD-L-2GOPOE	Local Unit with Power over Ethernet
ST-IPHD-R-2GOPOE	Remote Unit with Power over Ethernet

HDMI Over Gigabit IP Extender with Power over Ethernet (POE): Extend up to 333 Feet XTENDEX®

Extend an HDMI display monitor up to 333 feet away from the source using gigabit Ethernet. Use with cascaded network switches to extend up to 1,000 feet.

Configuration and Cable Illustrations



HDMI Over Gigabit IP Extender with Power over Ethernet (POE): Extend up to 333 Feet XTENDEX®

Extend an HDMI display monitor up to 333 feet away from the source using gigabit Ethernet. Use with cascaded network switches to extend up to 1,000 feet.

Configuration and Cable Illustrations

