

H.264/265 HDMI VIDEO ENCODER 1 CHANNEL WITH STORAGE

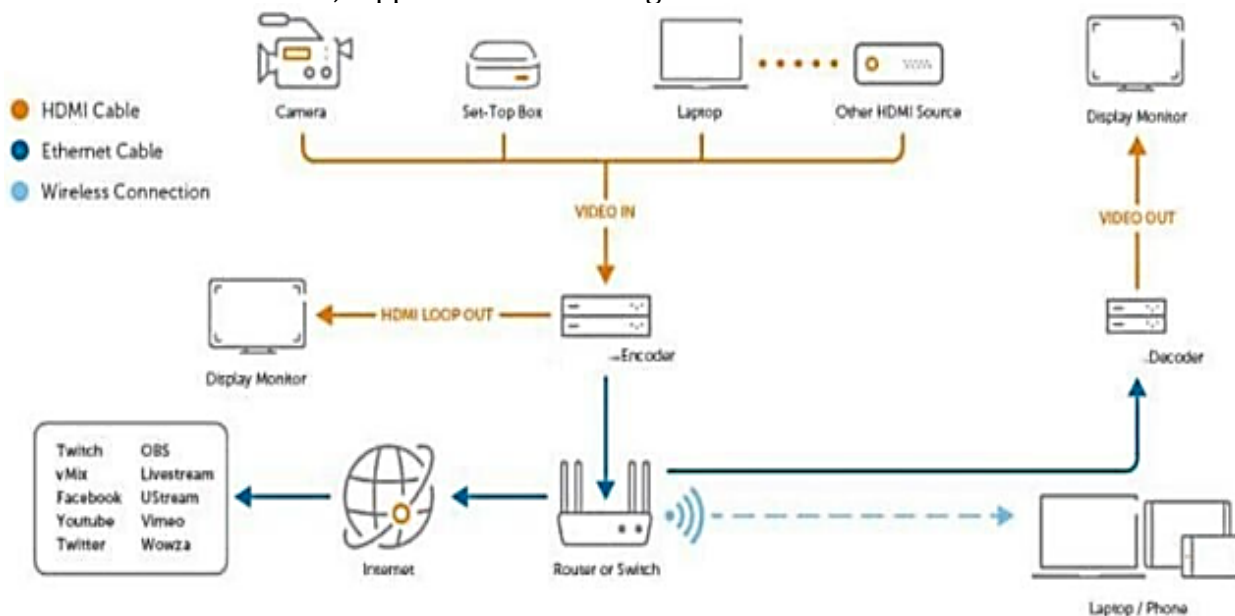
MODEL: PA-EHS101

BRAND: PRITECH



FEATURES:

- Embedded HiLinux system, stable and effective
- Support wide area network remote management (via port forwarding)
- Support HEVC /H.265 and H.264 /AVC and MJPEG for selection
- Support AAC, AAC+, AAC++, MP3, MP2, AC3, G.711 audio encoding for selection
- The bitrate of output video stream is adjustable from 32kbit/s to 32mbit/s (CBR or VBR bitrate controlling mode)
- Support Insert TF Card 1T(FAT32/NTFS/exFAT)
- Support SRT, HTTP, UDP, RTP, RTSP, RTMP, RTMPS, HLS(M3U8), FLV, ONVIF, Unicast, Multicast etc streaming protocol
- Support insert image, logo, text, roll text, time on the output video stream
- Support output video processing (Rotate, Flip, Mirror, Clipping etc)
- Support output displayed video resolution and frame rate setting (max 1920x1080P@60fps)
- Support different protocol transmission for the 4 output video streams
- Support choose HDMI embedded audio or external audio as output audio
- Support upgrade device by upgrading new firmware
- Support configures the encoder via webpage or APP
- Support 1 channel HDMI local loop out
- Provide SDK and API and CGI for secondary development
- Network interface full-duplex mode with 1000M speed
- English webpage operating interface, language is customizable
- A click to restore the default configuration
- Stable and effective, support 7 x 24h working time



SPECIFICATIONS:

VIDEO

Input	HDMI (support HDCP)
Input Resolution	Max 1080p or 1080i resolution, Max 60fps frame rate
Encoding Type	HEVC/ H.265 and H.264/AVC and MJPEG for selection
Encoding Levels	H.265 and H.264 high/main/baseline profile
Video Bitrate	Adjustable from 32kbit/s to 32 mbi/s
Bitrate Control	CBR or VBR or strong CBR for selection
Output Resolution	It is adjustable, max 1920x1080p/60 fps
Video Pre-processing	De-interlacing, noise reducing and sharpening

AUDIO

Input	HDMI embedded audio or external stereo audio (3.5mm)
Audio Encoding	AAC, AAC+, AAC++, MP3, MP2, AC3, G.711
Sampling Rate	44.1KHz, 48KHZ
Bitrate Control	Adjustable from 48000~320000
Sampling Accuracy	24bit
ONVIF	G.711

NETWORK

Interface	1000M Ethernet port (RJ45)
Streaming Protocol	SRT, HTTP, UDP, RTSP, RTMP, HLS(M3U8), Multicast, ONVIF, RTP, Unitcast, RTMPS etc
Storage	TF Card 1T (FAT32/NTFS/exFAT)
Control Panel	Webpage control panel (language customized) or APP
Firmware Upgrade	Firmware is upgradeable

GENERAL

Dimension (WXLXH)	115x104x30mm
Net weight	0.3 kg
Temperature	0 to 45 (for working) , -20 to 80(for storing)
Input Voltage	DC 12V/1A
Power Consumption	5w



PRITECH AUTOMATION PRIVATE LIMITED

PHONE : +91 79 2770 2711
EMAIL : sales@pritechautomation.com
Website : www.pritechautomation.com



ISO 9001:2015